

# PRODUCT SUBMITTAL / SUBSTITUTION REQUEST

TO:

PROJECT:

SPECIFIED ITEM:

Section

Page

Paragraph

Description

## PRODUCT SUBMITTAL / SUBSTITUTION REQUESTED:

The attached submittal package includes the product description, specifications, drawings, and performance data for use in the evaluation of the request.

## SUBMITTED BY:

Name:

Signature:

Company:

Address:

Date:

Telephone:

Fax:

## FOR USE BY THE ARCHITECT AND/OR ENGINEER

**Approved**       **Approved as Noted**       **Not Approved**

(If not approved, please briefly explain why the product was not accepted.)

By:

Date:

Remarks:

**Power-Stud+™ SD2** *Wedge Expansion Anchor*

**PRODUCT DESCRIPTION**

The Power-Stud+ SD2 anchor is a fully threaded, torque-controlled, wedge expansion anchor which is designed for consistent performance in cracked and uncracked concrete. Suitable base materials include normal-weight concrete, structural sand-lightweight concrete and concrete over steel deck. The anchor is manufactured with a zinc plated carbon steel body and stainless steel expansion clip for premium performance.

**GENERAL APPLICATIONS AND USES**

- Structural connections, i.e., beam and column anchorage
- Utility and safety-related attachments
- Interior applications / low level corrosion environment
- Tension zone applications, i.e., cable trays and strut, pipe supports, fire sprinklers
- Seismic and wind loading
- Medium to heavy duty purposes

**FEATURES AND BENEFITS**

- + Consistent performance in high and low strength concrete
- + Nominal drill bit size is the same as the anchor diameter
- + Anchor can be installed through standard fixture holes
- + Length ID code and identifying marking stamped on head of each anchor
- + Anchor design allows for follow-up expansion after setting under tensile loading

**APPROVALS AND LISTINGS**

International Code Council, Evaluation Service (ICC-ES), ESR-2502  
 Code compliant with the 2006 IBC, 2006 IRC, 2003 IBC, 2003 IRC and 1997 UBC  
 Tested in accordance with ACI 355.2 and ICC-ES AC193 for use in structural concrete under the design provisions of ACI 318 (Strength Design method using Appendix D)  
 Evaluated and qualified by an accredited independent testing laboratory for recognition in cracked and uncracked concrete including seismic and wind loading (Category 1 anchors)  
 FM Global (Factory Mutual) - File No. 3033795, 3/8" and 1/2" diameters  
 Pipe hanger components for automatic sprinkler systems  
 Underwriters Laboratories (UL Listed) - File No. EX1289

**GUIDE SPECIFICATIONS**

**CSI Divisions:** 03151-Concrete Anchoring, Masonry Anchorage and 05090-Metal Fastenings.  
 Expansion anchors shall be Power-Stud+ SD2 as supplied by Powers Fasteners, Inc., Brewster, NY. Anchors shall be installed in accordance with published instructions and the Authority Having Jurisdiction.

**MATERIAL SPECIFICATIONS**

Anchor component	Specification
Anchor body	Medium carbon steel
Hex nut	Carbon steel, ASTM A 563, Grade A
Washer	Carbon steel, ASTM F 844; meets dimensional requirements of ANSI B18.22.2, Type A Plain
Expansion wedge (clip)	Type 316 stainless steel
Plating (anchor body, nut and washer)	Zinc plating according to ASTM B 633, SC1, Type III (Fe/Zn 5) Minimum plating requirement for Mild Service Condition

**SECTION CONTENTS** Page No.

**General Information** ..... 1

**Material Specifications**..... 1

**Installation Specifications** ..... 2

**Installation Instructions**..... 3

**Performance Data** ..... 4

**Ordering Information** ..... 8



**Power-Stud+ SD2 Assembly**

**THREAD VERSION**

UNC threaded stud

**ANCHOR MATERIALS**

Zinc plated carbon steel body with stainless steel expansion clip, zinc plated carbon steel nut and washer

**ANCHOR SIZE RANGE (TYP.)**

3/8" diameter through 3/4" diameter

**SUITABLE BASE MATERIALS**

Normal-weight concrete  
 Structural sand-lightweight concrete  
 Concrete over steel deck  
 Grout-filled concrete masonry



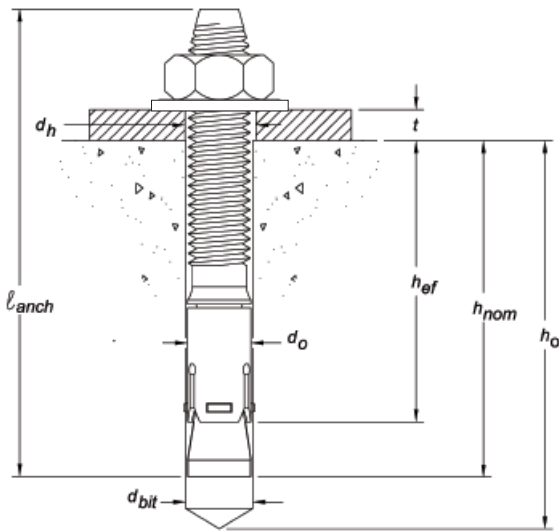
**INSTALLATION SPECIFICATIONS**

**Installation Table for Power-Stud+ SD2**

Anchor Property/Setting Information	Notation	Units	Nominal Anchor Size						
			3/8"	1/2"	5/8"	3/4"	1"		
Anchor diameter	$d_o$	in. (mm)	0.375 (9.5)	0.500 (12.7)	0.625 (15.9)	0.750 (19.1)	1.000 (25.4)		
Minimum diameter of hole clearance in fixture	$d_h$	in. (mm)	7/16 (11.1)	9/16 (14.3)	11/16 (17.5)	13/16 (20.6)	1-1/8 (28.6)		
Nominal drill bit diameter	$d_{bit}$	in.	3/8 ANSI	1/2 ANSI	5/8 ANSI	3/4 ANSI	1 ANSI		
Minimum nominal embedment depth	$h_{nom}$	in. (mm)	2-3/8 (60)	2-1/2 (64)	3-3/4 (95)	3-7/8 (98)	4-7/8 (124)	4 (102)	5-1/2 (140)
Effective embedment	$h_{ef}$	in. (mm)	2 (51)	2 (51)	3-1/4 (83)	3-1/4 (83)	4-1/4 (108)	3-1/8 (79)	4-3/8 (111)
Minimum hole depth <sup>1</sup>	$h_o$	in. (mm)	2-5/8 (67)	2-3/4 (70)	4 (102)	4-1/4 (108)	5-1/4 (133)	4-1/4 (108)	4-7/8 (124)
Minimum concrete member thickness <sup>1</sup>	$h_{min}$	in. (mm)	4 (102)	4-1/2 (114)	5-3/4 (146)	5-3/4 (146)	6-1/2 (165)	6 (152)	10 (254)
Minimum overall anchor length	$l_{anch}$	in. (mm)	3 (76)	3-3/4 (95)	4-1/2 (114)	4-3/4 (121)	6 (152)	5-1/2 (14)	9 (229)
Minimum edge distance <sup>1</sup>	$c_{min}$	in. (mm)	2-1/2 (64)	4 (102)	4 (102)	4-1/4 (108)	4-1/4 (108)	5 (127)	8 (203)
Minimum spacing distance <sup>1</sup>	$s_{min}$	in. (mm)	3-1/2 (89)	6 (152)	4 (102)	4-1/4 (108)	4-1/4 (108)	6 (152)	8 (203)
Critical edge distance <sup>1</sup>	$c_{ac}$	in. (mm)	8 (203)	8 (203)	10 (254)	8 (203)	15-3/4 (400)	12 (270)	12 (305)
Installation torque	$T_{inst}$	ft.-lb. (N-m)	20 (27)	40 (54)	60 (81)	110 (149)	225 (305)		
Torque wrench socket size	-	in.	9/16	3/4	15/16	1-1/8	1-1/2		
Nut height	-	in.	21/64	7/16	35/64	41/64	55/64		

1. For installations through the soffit of steel deck into concrete, see the installation detail. Anchors in the lower flute may be installed with a maximum 1-inch offset in either direction from center of the flute. In addition, anchors shall have an axial spacing along the flute equal to the greater of  $3h_{ef}$  or 1.5 times the flute width.

**Power-Stud+ SD2 Anchor Detail**



**Head Marking**



**Legend**

- Letter Code = Length Identification Mark
- '+' Symbol = Strength Design Compliant Anchor
- Number Code = Carbon Steel Body and Stainless Steel Expansion Clip

**Length Identification**

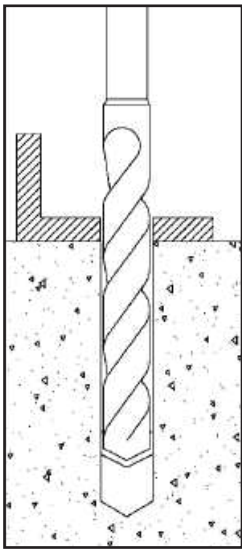
Mark	A	B	C	D	E	F	G	H	I	J
From	1-1/2"	2"	2-1/2"	3"	3-1/2"	4"	4-1/2"	5"	5-1/2"	6"
Up to but not including	2"	2-1/2"	3"	3-1/2"	4"	4-1/2"	5"	5-1/2"	6"	6-1/2"

Mark	K	L	M	N	O	P	M	N	O	P
From	6-1/2"	7"	7-1/2"	8"	8-1/2"	9"	7-1/2"	8"	8-1/2"	9"
Up to but not including	7"	7-1/2"	8"	8-1/2"	9"	9-1/2"	8"	8-1/2"	9"	9-1/2"

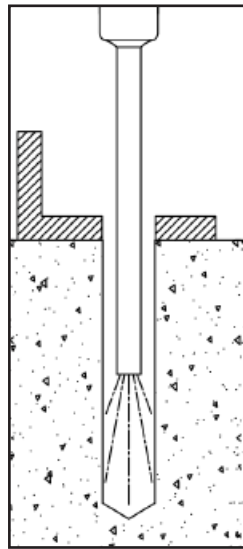
Length identification mark indicates overall length of anchor.

**INSTALLATION INSTRUCTIONS**

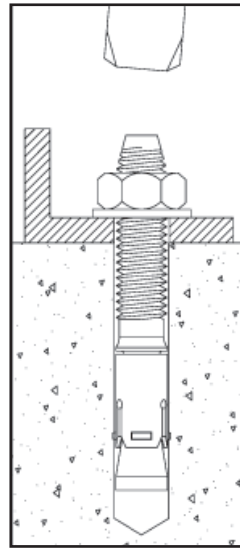
**Installation Instructions for Power-Stud+ SD2**



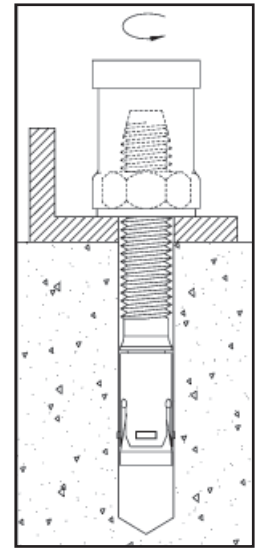
1.) Using the proper drill bit size, drill a hole into the base material to the required depth. The tolerances of the drill bit used should meet the requirements of ANSI Standard B212.15.



2.) Remove dust and debris from the hole.

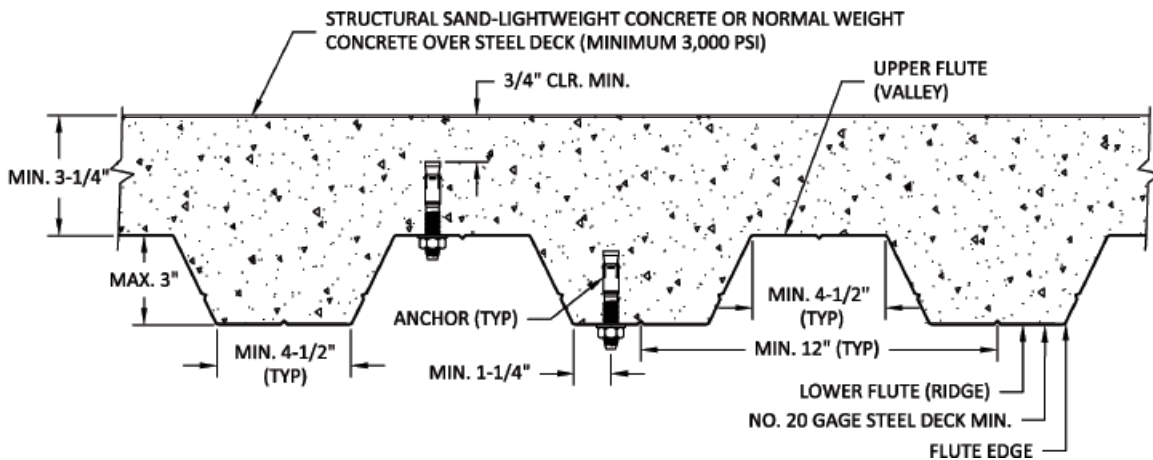


3.) Position the washer on the anchor and thread on the nut. If installing through a fixture, drive the anchor through the fixture into the hole. Be sure the anchor is driven to the minimum required nominal embedment depth,  $h_{nom}$ .



4.) Tighten the anchor with a torque wrench by applying the required installation torque,  $T_{inst}$ .

**Installation Detail for Power-Stud+ SD2 Installed Through Soffit of Steel Deck into Concrete**



**PERFORMANCE DATA**

**Tension Design Information (For use with load combinations taken from ACI 318 Section 9.2)<sup>1,2</sup>**

Design Characteristic	Notation	Units	Nominal Anchor Size						
			3/8"	1/2"	5/8"	3/4"			
Anchor category	1, 2 or 3	-	1	1	1	1		1	
<b>STEEL STRENGTH IN TENSION<sup>4</sup></b>									
Minimum specified yield strength (neck)	$f_y$	ksi (N/mm <sup>2</sup> )	96.0 (662)	85.0 (586)	85.0 (586)	85.0 (586)	85.0 (586)	70.0 (483)	
Minimum specified ultimate strength (neck)	$f_{uta}$	ksi (N/mm <sup>2</sup> )	120.0 (827)	106.0 (731)	106.0 (731)	106.0 (731)	106.0 (731)	90.0 (620)	
Effective tensile stress area (neck)	$A_{se}$	in <sup>2</sup> (mm <sup>2</sup> )	0.0552 (35.6)	0.1007 (65.0)	0.1007 (65.0)	0.1619 (104.5)	0.1619 (104.5)	0.2359 (153.2)	
Steel strength in tension	$N_{sa}$	lb (kN)	6,625 (29.4)	10,445 (48.0)	10,445 (48.0)	13,080 (58.2)	13,080 (58.2)	21,230 (94.4)	
Reduction factor for steel strength <sup>3</sup>	$\phi$	-	0.75						
<b>CONCRETE BREAKOUT STRENGTH IN TENSION<sup>8</sup></b>									
Effective embedment	$h_{ef}$	in. (mm)	2.00 (51)	2.00 (51)	3.25 (83)	3.25 (83)	4.25 (108)	3.75 (95)	5.00 (127)
Effectiveness factor for uncracked concrete	$k_{uncr}$	-	24	24	24	24	24	24	24
Effectiveness factor for cracked concrete	$k_{cr}$	-	17	17	17	17	17	17	17
Modification factor for cracked and uncracked concrete <sup>5</sup>	$\psi_{c,N}$	-	1.0 See note 5	1.0 See note 5	1.0 See note 5	1.0 See note 5	1.0 See note 5	1.0 See note 5	1.0 See note 5
Critical edge distance	$c_{ac}$	in. (mm)	8 (203)	8 (203)	10 (254)	8 (203)	15-3/4 (400)	12 (305)	12 (305)
Reduction factor for concrete breakout strength <sup>3</sup>	$\phi$	-	0.65 (Condition B)						
<b>PULLOUT STRENGTH IN TENSION (NON-SEISMIC APPLICATIONS)<sup>8</sup></b>									
Characteristic pullout strength, uncracked concrete (2,500 psi) <sup>6</sup>	$N_{p,uncr}$	lb (kN)	2,775 (12.3)	See note 7	6,615 (29.4)	See note 7	See note 7	See note 7	See note 7
Characteristic pullout strength, cracked concrete (2,500 psi) <sup>6</sup>	$N_{p,cr}$	lb (kN)	2,165 (9.6)	See note 7	4,375 (19.5)	See note 7	4,980 (22.4)	See note 7	7,795 (35.1)
Reduction factor for pullout strength <sup>3</sup>	$\phi$	-	0.65 (Condition B)						
<b>PULLOUT STRENGTH IN TENSION FOR SEISMIC APPLICATIONS<sup>8</sup></b>									
Characteristic pullout strength, seismic <sup>6,9</sup>	$N_{eq}$ ( $N_{p,seis}$ )	lb (kN)	2,165 (9.6)	See note 7	4,375 (19.5)	See note 7	4,980 (22.4)	See note 7	7,795 (35.1)
Reduction factor for pullout strength <sup>3</sup>	$\phi$	-	0.65 (Condition B)						
<b>PULLOUT STRENGTH IN TENSION FOR STRUCTURAL SAND-LIGHTWEIGHT AND NORMAL-WEIGHT CONCRETE OVER STEEL DECK</b>									
Characteristic pullout strength, uncracked concrete over steel deck <sup>10</sup>	$N_{p,deck,uncr}$	lb (kN)	1,855 (8.3)	2,065 (9.2)	3,930 (17.5)	4,665 (20.8)	7,365 (32.8)	4,900 (21.8)	
Characteristic pullout strength, cracked concrete over steel deck <sup>10</sup>	$N_{p,deck,cr}$	lb (kN)	1,445 (6.4)	1,465 (6.5)	2,600 (11.6)	3,305 (14.7)	3,490 (15.5)	3,470 (15.4)	
Reduction factor for pullout strength <sup>3</sup>	$\phi$	-	0.65 (Condition B)						

- The data in this table is intended to be used with the design provisions of ACI 318 Appendix D; for anchors resisting seismic load combinations the additional requirements of ACI 318 D.3.3 shall apply.
- Installation must comply with published instructions and details.
- All values of  $\phi$  were determined from the load combinations of ACI 318 Section 9.2. If the load combinations of Appendix C are used, the appropriate value of  $\phi$  must be determined in accordance with ACI 318 D.4.5. For reinforcement that meets ACI 318 Appendix D requirements for Condition A, see ACI 318 D.4.4 for the appropriate  $\phi$  factor.
- The Power-Stud+ SD2 is considered a ductile steel element in tension as defined by ACI 318 D.1. Reported values for steel strength in tension are based on test results per ACI 355.2 and shall be used for design.
- For all design cases use  $\psi_{c,N} = 1.0$ . Select appropriate effectiveness factor for cracked concrete ( $k_{cr}$ ) or uncracked concrete ( $k_{uncr}$ ).
- For all design cases use  $\psi_{c,p} = 1.0$ . For concrete compressive strength greater than 2,500 psi,  $N_{pn} =$  (pullout strength value from table)<sup>n</sup>\*(specified concrete compressive strength/2500)<sup>n</sup>. For concrete over steel deck the value of 2500 must be replaced with the value of 3000.  
For all anchors  $n = 1/2$  with the exception of the 3/8" anchor size for cracked concrete where  $n = 1/3$ .
- Pullout strength does not control design of indicated anchors. Do not calculate pullout strength for indicated anchor size and embedment.
- Anchors are permitted to be used in structural sand-lightweight concrete provided that  $N_b$ ,  $N_{eq}$  and  $N_{pn}$  are multiplied by a factor of 0.60 (not required for steel deck).
- Reported values for characteristic pullout strength in tension for seismic applications are based on test results per ACI 355.2, Section 9.5.
- Values for  $N_{p,deck}$  are for structural sand-lightweight concrete ( $f'_{c,min} = 3,000$  psi) and additional lightweight concrete reduction factors need not be applied. In addition, evaluation for the concrete breakout capacity in accordance with ACI 318 D.5.2 is not required for anchors installed in the flute (soffit).

**PERFORMANCE DATA**

**Shear Design Information (For use with load combinations taken from ACI 318 Section 9.2)<sup>1,2</sup>**

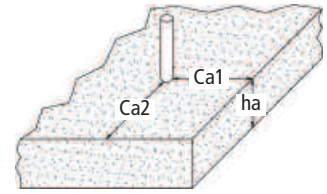
Design Characteristic	Notation	Units	Nominal Anchor Size						
			3/8"	1/2"	5/8"	3/4"			
Anchor category	1, 2 or 3	-	1	1	1	1			
<b>STEEL STRENGTH IN SHEAR<sup>4</sup></b>									
Minimum specified yield strength (threads)	$f_y$	ksi (N/mm <sup>2</sup> )	76.8 (530)	68.0 (469)	68.0 (469)	56.0 (386)			
Minimum specified ultimate strength (threads)	$f_{uta}$	ksi (N/mm <sup>2</sup> )	96.0 (662)	84.8 (585)	84.8 (585)	72.0 (496)			
Effective tensile stress area (threads)	$A_{se}$	in <sup>2</sup> (mm <sup>2</sup> )	0.0775 (50.0)	0.1419 (65.7)	0.2260 (104.9)	0.3345 (215.8)			
Steel strength in shear <sup>5</sup>	$V_{sa}$	lb (kN)	2,190 (9.7)	4,640 (20.6)	9,800 (44.1)	10,175 (45.3)			
Reduction factor for steel strength <sup>3</sup>	$\phi$	-	0.60	0.65					
<b>CONCRETE BREAKOUT STRENGTH IN SHEAR<sup>6</sup></b>									
Load bearing length of anchor ( $h_{ef}$ or $8d_o$ , whichever is less)	$l_e$	in. (mm)	2.00 (51)	2.00 (51)	3.25 (83)	3.25 (83)	4.25 (108)	3.75 (95)	5.00 (127)
Reduction factor for concrete breakout strength <sup>3</sup>	$\phi$	-	0.70 (Condition B)						
<b>PRYOUT STRENGTH IN SHEAR<sup>6</sup></b>									
Coefficient for prout strength (1.0 for $h_{ef} < 2.5$ in., 2.0 for $h_{ef} \geq 2.5$ in.)	$k_{cp}$	-	1.0	1.0	2.0	2.0	2.0	2.0	2.0
Effective embedment	$h_{ef}$	in. (mm)	2.00 (51)	2.00 (51)	3.25 (83)	3.25 (83)	4.25 (108)	3.75 (95)	5.00 (127)
Reduction factor for prout strength <sup>3</sup>	$\phi$	-	0.70 (Condition B)						
<b>STEEL STRENGTH IN SHEAR FOR SEISMIC APPLICATIONS<sup>6</sup></b>									
Steel strength in shear, seismic <sup>7</sup>	$V_{sa,seis}$ ( $V_{sa,seis}^{eq}$ )	lb (kN)	1,955 (8.7)	4,640 (20.6)	6,530 (29.0)	6,635 (29.5)			
Reduction factor for steel strength in shear, seismic <sup>3</sup>	$\phi$	-	0.60	0.65					
<b>STEEL STRENGTH IN SHEAR FOR STRUCTURAL SAND-LIGHTWEIGHT AND NORMAL-WEIGHT CONCRETE OVER STEEL DECK<sup>9</sup></b>									
Steel strength in shear, concrete over steel deck <sup>8</sup>	$V_{sa,deck}$	lb (kN)	2,170 (9.7)	3,815 (17.0)	5,040 (22.4)	4,015 (17.9)	6,670 (29.7)	4,325 (19.2)	
Reduction factor for steel strength in shear for concrete over steel deck <sup>3</sup>	$\phi$	-	0.60	0.65					

- The data in this table is intended to be used with the design provisions of ACI 318 Appendix D; for anchors resisting seismic load combinations the additional requirements of AC 318 D.3.3 shall apply.
- Installation must comply with published instructions and details.
- All values of  $\phi$  were determined from the load combinations of ACI 318 Section 9.2. If the load combinations of Appendix C are used, the appropriate value of  $\phi$  must be determined in accordance with ACI 318 Section D.4.5. For reinforcement that meets ACI 318 Appendix D requirements for Condition A, see ACI 318 D.4.4 for the appropriate  $\phi$  factor.
- The Power-Stud+ SD2 is considered a ductile steel element as defined by ACI 318 D.1 with the exception of the 3/8" anchor size in shear.
- Reported values for steel strength in shear are based on test results per ACI 355.2, Section 9.4 and shall be used for design. These reported values may be lower than calculated results using equation D-20 in ACI 318-05 D.6.1.2 and D-18 in ACI 318-02, D.6.1.2.
- Anchors are permitted to used in structural sand-lightweight concrete provided that  $V_b$  and  $V_{cp}$  are multiplied by a factor of 0.60 (not required for steel deck).
- Reported values for steel strength in shear for seismic applications are based on test results per ACI 355.2, Section 9.6.
- Values for  $V_{sa,deck}$  are for structural sand-lightweight concrete ( $f'_c \text{ min} = 3,000$  psi) and additional lightweight concrete reduction factors need not be applied. In addition, evaluation for the concrete breakout capacity in accordance with ACI 318 D.6.2 and the prout capacity in accordance with ACI 318 D.6.3 are not required for anchors installed in the flute (soffit).
- Shear loads for anchors installed through steel deck into concrete may be applied in any direction.

**Factored Design Strength ( $\phi N_n$  and  $\phi V_n$ ) Calculated in Accordance with ACI 318 Appendix D:**

1. Tabular values are provided for illustration and are applicable for single anchors installed in normal-weight concrete with minimum slab thickness,  $h_a = h_{min}$ , and with the following conditions:

- $c_{a1}$  is greater than or equal to the critical edge distance,  $c_{ac}$  (table values based on  $c_{a1} = c_{ac}$ ).
- $c_{a2}$  is greater than or equal to  $1.5 c_{a1}$ .



2. Calculations were performed according to ACI 318-05 Appendix D. The load level corresponding to the controlling failure mode is listed (e.g. For *tension*: steel, concrete breakout and pullout; For *shear*: steel, concrete breakout and pryout). Furthermore, the capacities for concrete breakout strength in tension and pryout strength in shear are calculated using the effective embedment values,  $h_{ef}$ , for the selected anchors as noted in the design information tables. Please also reference the installation specifications for more information.

3. Strength reduction factors ( $\phi$ ) were based on ACI 318 Section 9.2 for load combinations. Condition B is assumed.

4. Tabular values are permitted for static loads only, seismic loading is not permitted with these tables.

5. For designs that include combined tension and shear, the interaction of tension and shear loads must be calculated in accordance with ACI 318 Appendix D.

6. Interpolation is not permitted to be used with the tabular values. For intermediate base material compressive strengths please see ACI 318 Appendix D. For other design conditions including seismic considerations please see ACI 318 Appendix D.



**Tension and Shear Design Strength for Power-Stud+ SD2 in Cracked Concrete**

Nominal Anchor Size (in.)	Nominal Embed. $h_{nom}$ (in.)	Minimum Concrete Compressive Strength, $f'c$ (psi)									
		2,500		3,000		4,000		6,000		8,000	
		$\phi N_n$ Tension (lbs.)	$\phi V_n$ Shear (lbs.)	$\phi N_n$ Tension (lbs.)	$\phi V_n$ Shear (lbs.)	$\phi N_n$ Tension (lbs.)	$\phi V_n$ Shear (lbs.)	$\phi N_n$ Tension (lbs.)	$\phi V_n$ Shear (lbs.)	$\phi N_n$ Tension (lbs.)	$\phi V_n$ Shear (lbs.)
3/8	2-3/8	1,405	1,315	1,495	1,315	1,645	1,315	1,885	1,315	2,075	1,315
1/2	2-1/2	1,565	1,685	1,710	1,845	1,975	2,130	2,420	2,605	2,795	3,010
	3-3/4	2,845	3,015	3,115	3,015	3,595	3,015	4,405	3,015	5,085	3,015
5/8	3-7/8	3,235	3,575	3,545	3,920	4,095	4,525	5,015	5,540	5,790	6,370
	4-7/8	3,235	4,885	3,545	5,355	4,095	6,180	5,015	6,370	5,790	6,370
3/4	4-1/2	4,010	4,730	4,395	5,185	5,075	5,985	6,215	6,615	7,175	6,615
	5-3/4	5,065	6,615	5,550	6,615	6,410	6,615	7,850	6,615	9,065	6,615

**Tension and Shear Design Strength for Power-Stud+ SD2 in Uncracked Concrete**

Nominal Anchor Size (in.)	Nominal Embed. $h_{nom}$ (in.)	Minimum Concrete Compressive Strength, $f'c$ (psi)									
		2,500		3,000		4,000		6,000		8,000	
		$\phi N_n$ Tension (lbs.)	$\phi V_n$ Shear (lbs.)	$\phi N_n$ Tension (lbs.)	$\phi V_n$ Shear (lbs.)	$\phi N_n$ Tension (lbs.)	$\phi V_n$ Shear (lbs.)	$\phi N_n$ Tension (lbs.)	$\phi V_n$ Shear (lbs.)	$\phi N_n$ Tension (lbs.)	$\phi V_n$ Shear (lbs.)
3/8	2-3/8	1,805	1,315	1,975	1,315	2,280	1,315	2,795	1,315	3,225	1,315
1/2	2-1/2	2,205	2,375	2,415	2,605	2,790	3,005	2,795	3,015	3,945	3,015
	3-3/4	4,300	3,015	4,710	3,015	5,440	3,015	6,660	3,015	7,690	3,015
5/8	3-7/8	4,570	5,005	5,005	5,485	5,780	6,335	7,080	6,370	8,175	6,370
	4-7/8	6,835	6,370	7,485	6,370	8,645	6,370	10,585	6,370	12,225	6,370
3/4	4-1/2	5,665	6,615	6,205	6,615	7,165	6,615	8,775	6,615	10,130	6,615
	5-3/4	8,720	6,615	9,555	6,615	11,030	6,6105	13,510	6,615	15,600	6,615

Steel Strength Controls    Concrete Breakout Strength Controls    Anchor Pullout/Pryout Strength Controls

Factored design strengths may be converted to allowable loads using an appropriate conversion factor,  $\alpha$ , for the controlling load combination. See ICC-ES ESR-2502.



**Converted Allowable Loads for Power-Stud+ SD2 in Cracked Concrete<sup>1,2</sup>**

Nominal Anchor Size (in.)	Nominal Embed. $h_{nom}$ (in.)	Minimum Concrete Compressive Strength, $f'c$ (psi)									
		2,500		3,000		4,000		6,000		8,000	
		$T_{allowable,ASD}$ Tension (lbs.)	$V_{allowable,ASD}$ Shear (lbs.)	$T_{allowable,ASD}$ Tension (lbs.)	$V_{allowable,ASD}$ Shear (lbs.)	$T_{allowable,ASD}$ Tension (lbs.)	$V_{allowable,ASD}$ Shear (lbs.)	$T_{allowable,ASD}$ Tension (lbs.)	$V_{allowable,ASD}$ Shear (lbs.)	$T_{allowable,ASD}$ Tension (lbs.)	$V_{allowable,ASD}$ Shear (lbs.)
3/8	2-3/8	1,005	940	1,065	940	1,175	940	1,345	940	1,480	940
1/2	2-1/2	1,115	1,205	1,220	1,315	1,410	1,520	1,730	1,860	1,995	2,150
	3-3/4	2,030	2,115	2,225	2,155	2,565	2,155	3,145	2,155	3,630	2,155
5/8	3-7/8	2,310	2,555	2,530	2,800	2,925	3,230	3,580	3,955	4,135	4,550
	4-7/8	2,310	3,490	2,530	3,825	2,925	4,415	3,580	4,550	4,135	4,550
3/4	4-1/2	2,865	3,380	3,140	3,705	3,625	4,275	4,440	4,725	5,125	4,725
	5-3/4	3,615	4,725	3,965	4,725	4,580	4,725	5,605	4,725	6,475	4,725

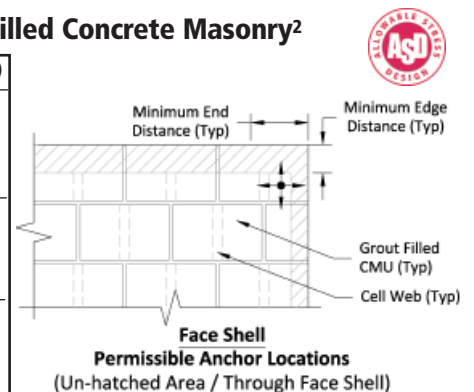
**Converted Allowable Loads for Power-Stud+ SD2 in Uncracked Concrete<sup>1,2</sup>**

Nominal Anchor Size (in.)	Nominal Embed. $h_{nom}$ (in.)	Minimum Concrete Compressive Strength, $f'c$ (psi)									
		2,500		3,000		4,000		6,000		8,000	
		$T_{allowable,ASD}$ Tension (lbs.)	$V_{allowable,ASD}$ Shear (lbs.)	$T_{allowable,ASD}$ Tension (lbs.)	$V_{allowable,ASD}$ Shear (lbs.)	$T_{allowable,ASD}$ Tension (lbs.)	$V_{allowable,ASD}$ Shear (lbs.)	$T_{allowable,ASD}$ Tension (lbs.)	$V_{allowable,ASD}$ Shear (lbs.)	$T_{allowable,ASD}$ Tension (lbs.)	$V_{allowable,ASD}$ Shear (lbs.)
3/8	2-3/8	1,290	940	1,410	940	1,630	940	1,995	940	2,305	940
1/2	2-1/2	1,575	1,695	1,725	1,860	1,990	2,145	1,995	2,155	2,815	2,155
	3-3/4	3,070	2,115	3,365	2,155	3,885	2,155	4,775	2,155	5,490	2,155
5/8	3-7/8	3,265	3,575	3,575	3,915	4,130	4,525	5,005	4,550	5,840	4,550
	4-7/8	4,880	4,550	5,345	4,550	6,175	4,550	7,560	4,550	8,730	4,550
3/4	4-1/2	4,045	4,725	4,430	4,725	5,115	4,725	6,265	4,725	7,235	4,725
	5-3/4	6,230	4,725	6,825	4,725	7,880	4,725	9,650	4,725	11,140	4,725

1. Allowable load values are calculated using a conversion factor,  $\alpha$ , from Factored Design Strengths and conditions shown on the previous page.
2. Tabulated allowable load values assume 50% dead load and 50% live load, with controlling load combination  $1.2D + 1.6L$ . Calculated weighted average for the conversion factor,  $\alpha : 1.2(0.5) + 1.6(0.5) = 1.4$ .

**Ultimate and Allowable Load Capacities or Power-Stud+ SD2 in Grout Filled Concrete Masonry<sup>2</sup>**

Nominal Anchor Size (in. / mm)	Minimum Embedment Depth (mm)	Installation Location <sup>3</sup>	Minimum Masonry Compressive Strength, $f'_m = 1,500$ psi (10.4 MPa)			
			Ultimate Load Tension (lbs. / kN)	Allowable Load Tension (lbs. / kN)	Ultimate Load Shear (lbs. / kN)	Allowable Load Shear (lbs. / kN)
3/8 (9.5)	2-1/2 (50.8)	Wall Face Min. 2-1/2" Edge and End Distances	1,670 (7.4)	335 (1.5)	2,075 (9.2)	415 (1.8)
1/2 (12.7)	2-1/2 (50.8)	Wall Face Min. 3" Edge and End Distances	2,295 (10.2)	460 (2.0)	1,310 (5.8)	260 (1.2)
	3-3/4 (95.3)	Top of Wall Min. 1-3/4" Edge and 4" Edge Distances	3,320 (14.8)	665 (3.0)	1,140 (5.1)	230 (1.0)



1. Tabulated load capacities are for anchors installed in minimum 6" wide, minimum Grade N, Type II, lightweight, medium-weight or normal-weight concrete masonry units conforming to ASTM C 90 that have reached a designated minimum compressive strength at the time of installation.
2. The allowable loads are calculated using a safety factor of 5.0. Consideration of safety factors of 10 or higher may be necessary depending on the application, such as life safety.
3. Anchor installations into grouted masonry walls are limited to one per masonry cell.

**ORDERING INFORMATION**

**Power-Stud+ SD2 (Carbon Steel Body with Stainless Steel Expansion Clip)**

Cat. No.	Anchor Size	Thread Length	Box Qty.	Carton Qty.	Wt./100 (lbs)
7413SD2	3/8" x 3"	1-3/4"	50	300	10
7414SD2	3/8" x 3-1/2"	2-1/4"	50	300	12
7415SD2	3/8" x 3-3/4"	2-1/2"	50	300	13
7416SD2	3/8" x 5"	3-3/4"	50	300	16
7422SD2	1/2" x 3-3/4"	2-1/8"	50	200	23
7423SD2	1/2" x 4-1/2"	2-7/8"	50	200	28
7424SD2	1/2" x 5-1/2"	3-7/8"	50	150	32
7426SD2	1/2" x 7"	5-3/8"	25	100	44
7427SD2	1/2" x 8-1/2"	6-7/8"	25	100	46
7435SD2	5/8" x 4-3/4"	2-7/8"	25	100	52
7433SD2	5/8" x 5"	3-1/8"	25	100	57
7434SD2	5/8" x 6"	4-1/8"	25	75	64
7436SD2	5/8" x 7"	5-1/8"	25	75	72
7438SD2	5/8" x 8-1/2"	6-5/8"	25	75	84
7442SD2	3/4" x 5-1/2"	3-1/4"	20	60	88
7444SD2	3/4" x 6-1/4"	4"	20	60	90
7446SD2	3/4" x 7"	4-3/4"	20	60	95
7448SD2	3/4" x 8-1/2"	6-1/4"	10	60	95



The published size includes the diameter and the overall length of the anchor.  
All anchors are packaged with nuts and washers.

**Installation Accessories**

Cat. No.	Description	Box Qty.
08465	Adjustable torque wrench with 1/2" square drive (10 to 150 ft.-lbs.)	1
08280	Hand pump / dust blower	1

