



MIAMI-DADE COUNTY
 PRODUCT CONTROL SECTION
 11805 SW 26 Street, Room 208
 Miami, Florida 33175-2474
 T (786) 315-2590 F (786) 315-2599
www.miamidadecounty.gov/economy

DEPARTMENT OF REGULATORY AND ECONOMIC RESOURCES (RER)
 BOARD AND CODE ADMINISTRATION DIVISION
NOTICE OF ACCEPTANCE (NOA)

Powers Fasteners, Inc.
 2 Powers Lane
 Brewster, NY 10509

SCOPE:

This NOA is being issued under the applicable rules and regulations governing the use of construction materials. The documentation submitted has been reviewed and accepted by Miami-Dade County RER-Product Control Section to be used in Miami Dade County and other areas where allowed by the Authority Having Jurisdiction (AHJ).

This NOA shall not be valid after the expiration date stated below. The Miami-Dade County Product Control Section (In Miami Dade County) and/or the AHJ (in areas other than Miami Dade County) reserve the right to have this product or material tested for quality assurance purposes. If this product or material fails to perform in the accepted manner, the manufacturer will incur the expense of such testing and the AHJ may immediately revoke, modify, or suspend the use of such product or material within their jurisdiction. RER reserves the right to revoke this acceptance, if it is determined by Miami-Dade County Product Control Section that this product or material fails to meet the requirements of the applicable building code.

This product is approved as described herein, and has been designed to comply with the Florida Building Code, including the High Velocity Hurricane Zone.

DESCRIPTION: Tapper Screw Anchor for Masonry

APPROVAL DOCUMENT: Drawing No. KC-140813, titled "Tapper Screw Anchor for Masonry", sheet 1 of 1, dated 07/09/2009, with revision 1 dated 08/15/2014, prepared by Power Fasteners, Inc., signed and sealed by John W. Knezevich, P.E., bearing the Miami-Dade County Product Control renewal stamp with the Notice of Acceptance (NOA) number and expiration date by the Miami-Dade County Product Control Section.

MISSILE IMPACT RATING: None

LABELING: Each box shall bear a permanent label with the manufacturer's name or logo, city, state and following statement: "Miami-Dade County Product Control Approved or MDCPCA", unless otherwise noted herein.

RENEWAL of this NOA shall be considered after a renewal application has been filed and there has been no change in the applicable building code negatively affecting the performance of this product.

TERMINATION of this NOA will occur after the expiration date or if there has been a revision or change in the materials, use, and/or manufacture of the product or process. Misuse of this NOA as an endorsement of any product, for sales, advertising or any other purposes shall automatically terminate this NOA. Failure to comply with any section of this NOA shall be cause for termination and removal of NOA.

ADVERTISEMENT: The NOA number preceded by the words Miami-Dade County, Florida, and followed by the expiration date may be displayed in advertising literature. If any portion of the NOA is displayed, then it shall be done in its entirety.

INSPECTION: A copy of this entire NOA shall be provided to the user by the manufacturer or its distributors and shall be available for inspection at the job site at the request of the Building Official.

This NOA renews NOA # 09-0714.04 and consists of this page 1, evidence page E-1, as well as approval document mentioned above.

The submitted documentation was reviewed by Carlos M. Utrera, P.E.



[Signature]
 12/10/2014

NOA No: 14-0915.04
 Expiration Date: September 23, 2019
 Approval Date: December 18, 2014
 Page 1

NOTICE OF ACCEPTANCE: EVIDENCE SUBMITTED

A. DRAWINGS

1. Drawing No. **KC-140813**, titled "Tapper Screw Anchor for Masonry", sheet 1 of 1, dated 07/09/2009, with revision 1 dated 08/15/2014, prepared by Power Fasteners, Inc., signed and sealed by John W. Knezevich, P.E.

B. TESTS "Submitted under NOA No. 09-0714.04"

1. Test report on Tension and Shear Capacity per ASTM E 488 of 1/4" Perma-Seal and 410 Stainless Steel Anchors, prepared by Stork Twin City Testing Corporation, Test Report No. **324021**, dated 09/27/2004, signed and sealed by John D. Lee, P.E.

"Submitted under NOA No. 03-0303.14"

2. Test report on Corrosion Resistance per ASTM G 85, Annex 5 and TAS 114, Appendix E, prepared by Applied Research Laboratories, Test Report No. **ARL 30388**, dated 10/10/2002, signed and sealed by C. A. Hamon, P.E.

C. CALCULATIONS "Submitted under NOA No. 09-0714.04"

1. Anchors' allowable load capacities prepared by Knezevich Consulting, LLC, dated 06/22/2009, signed and sealed by John W. Knezevich, P.E.

D. MATERIAL CERTIFICATIONS


1. None

E. QUALITY ASSURANCE

1. Miami-Dade Department of Regulatory and Economic Resources (RER)

F. STATEMENTS

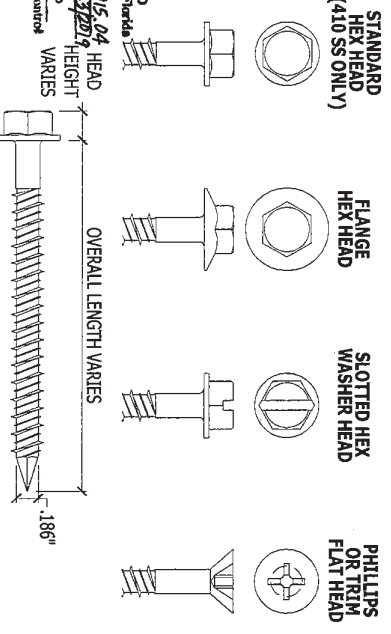
1. Statement letter of code conformance to 2010 FBC and no financial interest issued by Knezevich Consulting, LLC, dated 08/27/2014, signed and sealed by John W. Knezevich, P.E.


12/10/2014

Carlos M. Utrera, P.E.
Product Control Examiner
NOA No 14-0915.04
Expiration Date: September 23, 2019
Approval Date: December 18, 2014

GENERAL NOTES:

1. THESE PRODUCT EVALUATION DOCUMENTS REPRESENT POWERS FASTENERS' TAPPER CONCRETE SCREW ANCHOR ANALYZED AND TESTED IN ACCORDANCE WITH THE HIGH VELOCITY HURRICANE ZONE PROVISIONS OF THE FLORIDA BUILDING CODE, 2010 EDITION.
2. POWERS TAPPER IS A CORROSION RESISTANT MASONRY FASTENER AVAILABLE IN PERMA-SEAL COATED CARBON STEEL OR 410 STAINLESS STEEL WITH CLASS 4 SEALCOAT. REFERENCE TABLES FOR APPROPRIATE DESIGN VALUES.
3. POWERS TAPPER IS AVAILABLE WITH A PHILLIPS PAN HEAD OR HEX WASHER HEAD.
4. REFERENCE STORK TWIN CITY TESTING CORPORATION, TEST REPORT NO. 324021 DATED SEPTEMBER 27, 2004.
5. MASONRY SHALL CONFORM TO ASTM C-90 WITH GROUTED MASONRY HAVING A MINIMUM GROUT COMPRESSIVE STRENGTH OF 2,000 PSI.
6. ANCHOR INSTALLATION SHALL BE IN CONFORMANCE WITH THE ANCHOR INSTALLATION SPECIFICATIONS BY POWERS AND THESE EVALUATION DOCUMENTS.
 - A. DRILL PILOT HOLE WITH THE PROPER DIAMETER TAPPER DRILL BIT, AT LEAST 1/4" DEEPER THAN THE EMBEDMENT REQUIRED.
 - B. BLOW THE HOLE CLEAN OF DUST AND OTHER MATERIAL.
 - C. SELECT THE TAPPER INSTALLATION TOOL AND DRIVE SOCKET.
 - D. INSERT THE HEAD OF THE DRIVER INTO THE DRIVER, SET THE DRILL TO ROTATION ONLY FOR MASONRY, AND PLACE THE POINT OF THE TAPPER THROUGH THE FUTURE INTO THE PREDRILLED HOLE.
 - E. DRIVE THE ANCHOR IN ONE STEADY CONTINUOUS MOTION UNTIL IT IS FULLY SEATED AT THE PROPER EMBEDMENT. THE DRIVER WILL AUTOMATICALLY DISENGAGE FROM THE HEAD OF THE TAPPER.
7. CENTER TO CENTER ANCHOR SPACING FOR 100% ALLOWABLE LOAD IS 16 DIAMETERS, CLOSER SPACING IS NOT IN COMPLIANCE WITH THESE DOCUMENTS.
8. ANCHOR CAPACITIES AT SPECIFIC EDGE DISTANCES ARE BASED ON TEST RESULTS. EDGE DISTANCES BELOW THESE TABULATED VALUES ARE NOT IN COMPLIANCE WITH THESE DOCUMENTS.
9. THESE PRODUCT EVALUATION DOCUMENTS ARE GENERIC AND DO NOT INCLUDE INFORMATION FOR SITE SPECIFIC APPLICATIONS.
10. ANY MODIFICATION OR ADDITIONS TO THESE PRODUCT EVALUATION DOCUMENTS WILL VOID THE DOCUMENTS.



PRODUCT REVIEWED as complying with the Florida Building Code
 Acceptance No. 16-015-04
 Department No. 07-2320
 By: [Signature]
 Miami Field Product Control

TABLE 1
 ALLOWABLE LOAD CAPACITIES FOR TAPPER SCREW ANCHORS IN GROUTED CONCRETE MASONRY UNITS

ANCHOR INSTALLED THROUGH FACE SHELL OR CELL WEB					
ANCHOR DIAMETER (IN)	ANCHOR MATERIAL AND PLATING / COATING	MINIMUM EMBEDMENT DEPTH (IN)	MINIMUM EDGE DISTANCE (IN)	ALLOWABLE TENSION (LBS)	ALLOWABLE SHEAR (LBS)
1/4"	PERMA-SEAL COATED CARBON STEEL	1.5"	4"	275	300

TABLE 2
 ALLOWABLE LOAD CAPACITIES FOR TAPPER SCREW ANCHORS IN GROUTED CONCRETE MASONRY UNITS

ANCHOR INSTALLED IN CELL OPENING (TOP OF WALL) FOR SILL PLATES AND OTHER ATTACHMENTS					
ANCHOR DIAMETER (IN)	ANCHOR MATERIAL AND PLATING / COATING	MINIMUM EMBEDMENT DEPTH (IN)	MINIMUM EDGE DISTANCE (IN)	ALLOWABLE TENSION (LBS)	ALLOWABLE SHEAR (LBS)
1/4"	PERMA-SEAL COATED CARBON STEEL	2.0"	1.75"	275	220

TABLE 3
 ALLOWABLE LOAD CAPACITIES FOR TAPPER SCREW ANCHORS IN NON-GROUTED (HOLLOW) CONCRETE MASONRY UNITS

ANCHOR INSTALLED THROUGH FACE SHELL OR CELL WEB					
ANCHOR DIAMETER (IN)	ANCHOR MATERIAL AND PLATING / COATING	MINIMUM EMBEDMENT DEPTH (IN)	MINIMUM EDGE DISTANCE (IN)	ALLOWABLE TENSION (LBS)	ALLOWABLE SHEAR (LBS)
1/4"	PERMA-SEAL COATED CARBON STEEL	1.0"	4"	115 ⁴	200
1/4"	410 STAINLESS STEEL WITH CLASS 4 SEALCOAT	1.0"	4"	135	205

TABLE NOTES:

1. ALLOWABLE LOADS SHOWN ARE BASED ON A 5.0 FACTOR OF SAFETY ON THE ULTIMATE CAPACITY. NO INCREASE IN ALLOWABLE STRESS FOR WIND LOADS IS ACCEPTABLE.
2. EDGE DISTANCES LESS THAN THOSE INDICATED ARE NOT PART OF THIS EVALUATION.
3. A MINIMUM ANCHOR SPACING OF 4" IS REQUIRED. ANCHOR SPACING OF LESS THAN 4" ARE NOT PART OF THIS EVALUATION EXCEPT AS SPECIFIED IN NOTE 4.
4. WHERE LOADS ARE IN TENSION ONLY, SPACING MAY BE REDUCED TO 2" AND A SPACING REDUCTION FACTOR OF 0.85 MAY BE USED FOR THE PERMA-SEAL COATED CARBON STEEL NON-GROUTED MASONRY TENSION VALUE.

<p>revisions</p> <table border="1"> <thead> <tr> <th>no.</th> <th>date</th> <th>description</th> </tr> </thead> <tbody> <tr> <td>1</td> <td>8/15/14</td> <td>REVISED PREVIOUSLY 05-POW-01</td> </tr> </tbody> </table>	no.	date	description	1	8/15/14	REVISED PREVIOUSLY 05-POW-01	<p>Tapper Screw Anchor for Masonry Powers Fasteners, Inc. 2 Powers Lane Brewster, NY 10509 Tel: (800) 524-3244 Fax: (914) 576-6483</p>	<p>KNEZEVICH CONSULTING KNEZEVICH CONSULTING, LLC 1600 S. Federal Hwy, Suite 961 • Pompano Beach, FL 33062 T: 954.772.6224 • F: 954.320.6451 • COA 27988 Copyright 2014 Knezevich Consulting, LLC</p>
no.	date	description						
1	8/15/14	REVISED PREVIOUSLY 05-POW-01						
<p>BY: [Signature] DATE: 07/09/2009 DRAWN BY: [Signature] CHECKED BY: [Signature] SCALE: AS NOTED</p>	<p>DATE: 07/09/2009 DRAWN BY: [Signature] CHECKED BY: [Signature] SCALE: AS NOTED</p>	<p>DATE: 07/09/2009 DRAWN BY: [Signature] CHECKED BY: [Signature] SCALE: AS NOTED</p>						
<p>sheet 1 of 1</p>								